

VORTEXR2™

WHELEN[®]
MANUFACTURED IN AMERICA

Outdoor All Hazards Rotating Warning Siren

Whelen's VORTEXR2™ Series All Hazard High Power Sirens provide an economical alternative for powerful siren communication without compromising quality.

SYSTEM FEATURES

- **VORTEXR2** - speaker with two active speaker cells
- Two-compartment (Type I) natural finish aluminum cabinet
- Speaker includes two high efficiency 400 watt speaker drivers
- 50' cable included
- Battery powered. Minimum of 15 minutes of full power output with batteries of our recommendation
- AC temperature compensated 5 amp battery charger
- Local controls or remote controls
- Two tone-only power amplifiers
- Gear driven rotor
- Electronic siren controller
- Tone generator
- Timer
- Local control push-buttons
- Rotor relay control
- SI TEST[®]
- Low battery alarm
- Battery tray
- Lightning arrestor
- Six standard public warning tones - Wail, Whoop, Attack, Hi-Lo, Alert, Airhorn

SYSTEM OPTIONS

- **Solar option** - 2 each, 80 watt panels, with brackets and solar regulator
- **Batteries** - 2 each, Whelen approved batteries. Check Whelen's web site, www.whelen.com, for other recommended batteries
- **Pole top bracket**

SIREN ACTIVATION CONTROLS

Our VHF High and UHF siren activation control packages include the following:

- Radio
- Radio interface
- Tone squelch
- 2-3dB gain omni-directional antenna with bracket
- 35' of RG58 antenna cable
- Polyphaser
- SI TEST

Other features are dependant upon one or two way controls. Whelen equipment can be interfaced with many different types of two-way radio communications products and systems. The following is offered as standard options. Contact factory for special applications.

The following is available as standard options. **BOLD BLUE** indicates the Whelen Model:

ONE-WAY CONTROLS

- **VAUXIN** - Auxiliary board for contact closure activation
- **VD2030LL** - 10 Digit DTMF landline activation
- **VD230NV** - 10 Digit DTMF VHF high band / 150-170 Mhz
- **VD230U** - 10 Digit DTMF UHF / 450-470 Mhz
- **VORTT** - Two tone sequential option

TWO-WAY CONTROLS

- **VAUXCS** - Two-way contact closure activation and status board
- **VC2030LL** - Two-way landline activation
- **VC230NV** - 10 Digit DTMF VHF high band / 150-170 Mhz
- **VC230NU** - 10 Digit DTMF UHF / 450-470 Mhz

OPTIONS

- **VFSKXMOD** - Converts the siren activation controls to FSK format
- **VSTATUS** - Cabinet window LED status indicator
- **VPGINT** - Paging interface to interface Whelen tones with existing paging systems
- **VINTRU** - Intrusion alarm (available with two-way only)



VORTEXR2
Two cell speaker housing
mounted on rotor.



TYPE I Electronic Cabinet

VORTEXR2™

"Our Mass Notification Products
Speak for Themselves"™

Specifications

Component	Height Inches (CM)	Width Inches (CM)	Depth Inches (CM)	Weight Lbs. (kg)
VORTEXR2 Speaker & Rotor	49.0 (124.5)	28.5 (72.4)	56.0 (142.2)	190 (86.2)
Electronics Cabinet Type I	32.5 (82.6)	22.5 (57.2)	10.5 (26.7)	75 (34.1)*
Pole Top Bracket (Optional)	30.0 (76.2)	12.0 (30.5) x 13.5 (34.3)	10.0 (25.4)	71 (32.3)

* Less batteries. Two batteries, Delco DC74, add 90 Lbs. (40.9kg)

Electrical

- Battery Charger Input: 120VAC, 60Hz, 7A fuse
 - Battery Charger Output: 28VDC, 5A #
 - Batteries: 2-12V, 60AH lead calcium (user supplied)
 - Standby Current: 70mA,
 - Operating Current: 44A, 24VDC
 - Power Amplifier Output Power: 800 watts
- # U.L. Recognized Component

Environmental

- Operating Temperature: -35C to +60C
- Storage Temperature: -65C to +125C
- Humidity, Non Condensing: 0 to 95%

Ordering Information

BASIC SYSTEM INCLUDES ALL OF THE FOLLOWING:

- VORTEXR2 - Speaker Assembly & Electronics Cabinet

OPTIONS:

- VAUXIN - Auxiliary board for contact closure activation
- VAUXCS - Auxiliary/Status control board for contact closure activation and status
- VD2030LL, VD230NV, VD230NU - One-way radio control ①
- VC2030LL, VC230NV, VC2030NU - Two-way radio control/status monitoring, COMM/STAT™ ①
- VORTT - Two tone sequential
- VFSKXMOD - FSK format
- VSTATUS - Cabinet window LED status indicator
- VPGINT - Paging interface to interface Whelen tones with existing paging systems
- VINTRU - Intrusion alarm
- VSBC80 - Solar power ②
- VPTB - Speaker pole top bracket
- BSETVOR - One pair of batteries

NOTES:

- ① 10 digit DTMF Controls. • Landline • VHF High Band / 150-170 Mhz • UHF / 450-470 Mhz
Our VHF High and UHF siren activation control packages include tone squelch, radio, radio interface, 2-3dB gain omni-directional antenna with bracket, 35' of RG58 antenna cable and polyphaser.
- ② Solar power option includes 2 - 80 watt panels, mounting bracket and regulator

Acoustic Performance

Wattage: 800 watts

Estimated Range: 5200 ft / 1580 m

Weather, terrain and other structures may impact the range. Each siren within the system may have a decreased or increased range depending on conditions beyond our control.



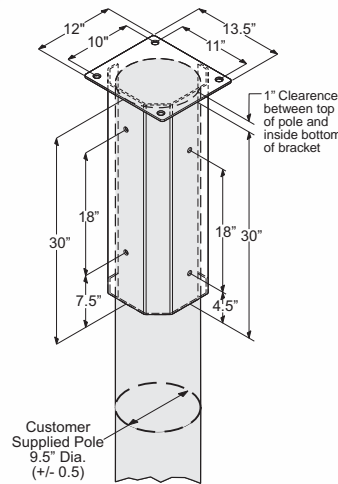
WHELEN®
ENGINEERING COMPANY, INC.

MASS NOTIFICATION PRODUCTS
51 Winthrop Road
Chester, Connecticut 06412-0684
860-526-9504
1-800-637-4736
Fax: 860-526-4784
www.whelen.com
iowsales@whelen.com

Whelen Engineering Company, Inc.
reserves the right to upgrade its products with design improvements without notification.

© 2013 Whelen Engineering Company, Inc.

Printed in the U.S.A.
11360F-111213



Pole Top Bracket
Mount Dimensions
(Optional Model VPTB)